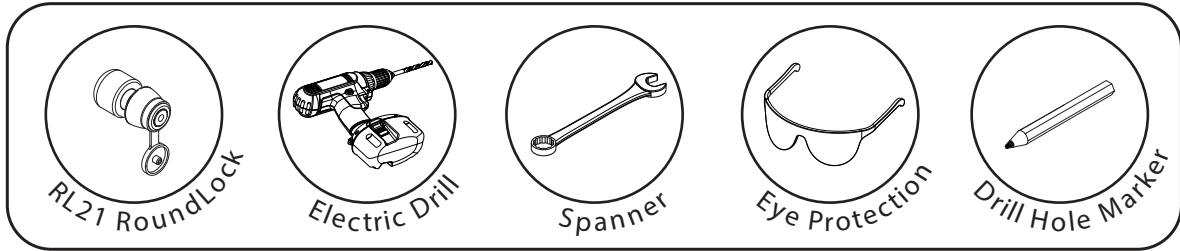


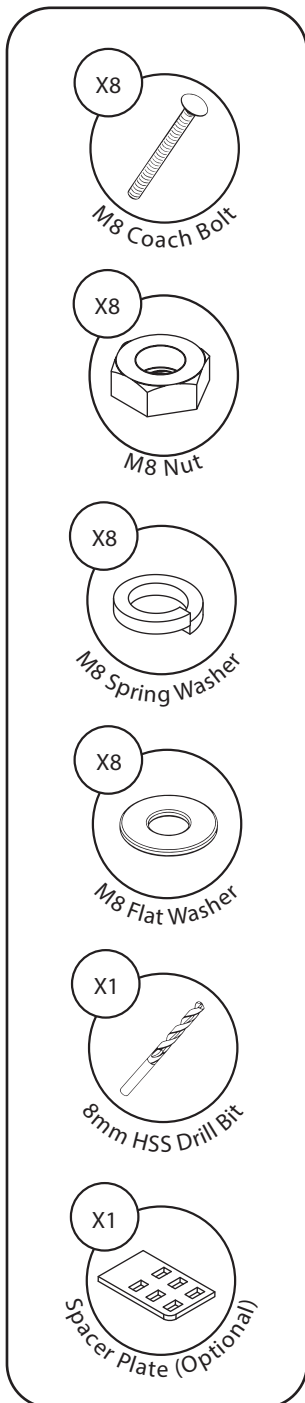
# Shed Shield - Fitting Instructions

More information can be found at :  
[SecurityForBikes.com/ShedShield.php](http://SecurityForBikes.com/ShedShield.php)

## Required Items



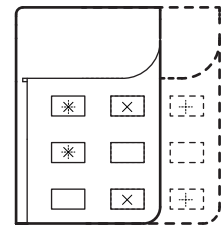
## Parts included



## Overview & Fitting Location Guidance

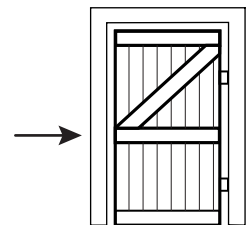
The Shed Shield is intended to fit on outward-opening doors.

We recommend using 4 bolts to fit each Bracket, spaced as shown to the right. They *can* be fitted with a minimum of 2 bolts each. There are more bolt holes than bolts so you can adapt it for your shed. It is important to have at least one bolt on each bracket that will be obscured by the RoundLock in the locked position (marked by '\*'). See Step 6 overleaf.

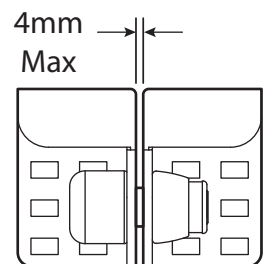


Wide & Narrow Versions

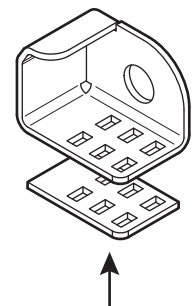
Decide on the best position for the Shed Shield by looking at the frame and the back of the door: If the door has a strong horizontal timber around mid-height, that normally sets the approximate height for the Shed Shield.



The gap between the Brackets must be between 1-4mm to allow the RoundLock to fit correctly whilst allowing for expansion of the wood in varying weather conditions.

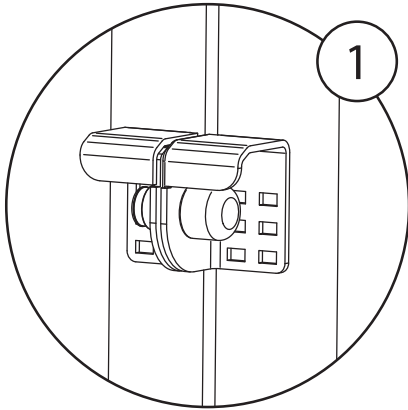


If your door and frame don't sit flush with each other, use an optional Spacer Plate behind one Bracket to ensure the RoundLock can fit through both Brackets.

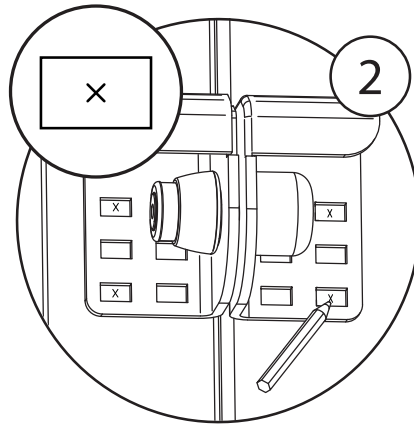


# Fitting Sequence

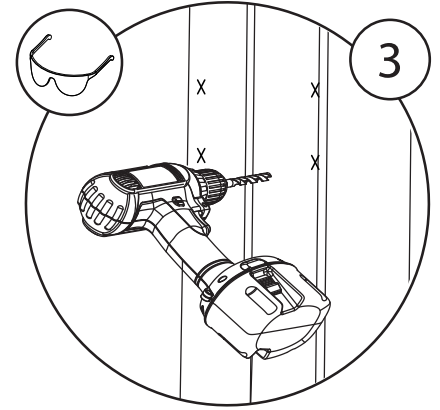
Read through page 1 in its entirety before attempting to follow the fitting sequence.



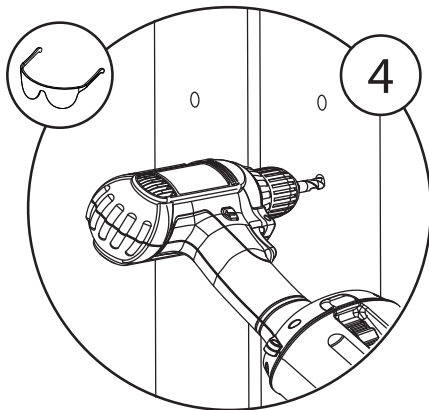
1  
Lock both Brackets together with your RoundLock and hold the assembly in its intended location, ensuring it fits well.



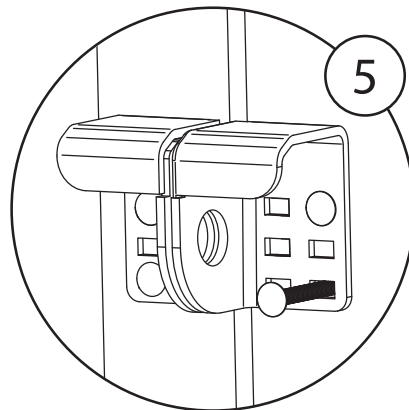
2  
**Carefully** mark the timber behind any 2 accessible bolt holes with drilling positions on both Brackets, whilst allowing for the timber behind.



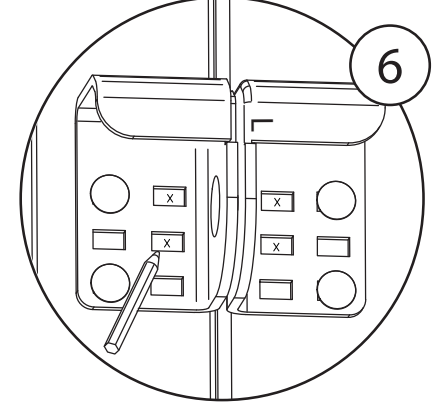
3  
Move the Shed Shield and prepare to use the supplied drill bit. The drill bit can drill through nails in the wood, if required.



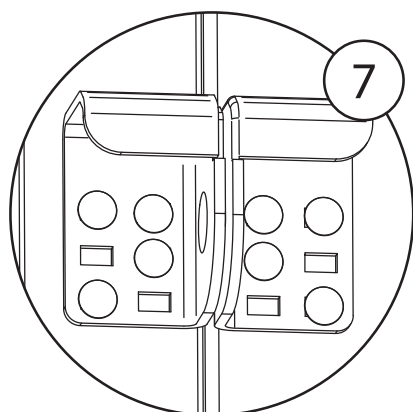
4  
Drill completely through the 4 marks on the timber. Go gently near the end of each hole to avoid splitting the wood.



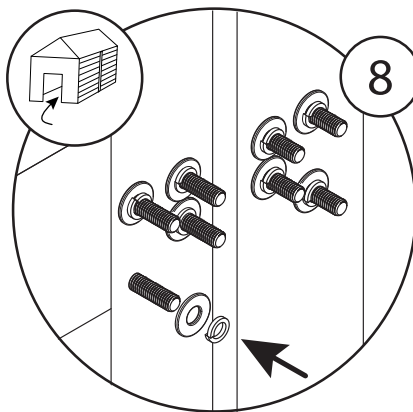
5  
Remove the lock and push coach bolts through the Brackets and into the drilled holes so they are held loosely.



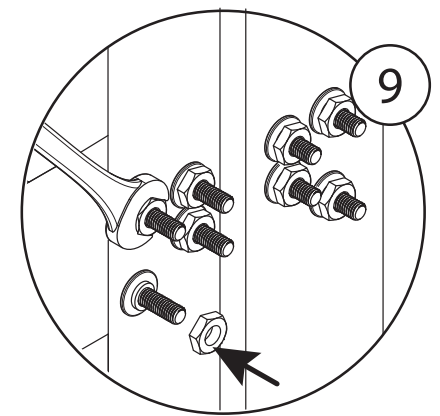
6  
Mark the four holes that would be covered by the lock and repeat steps 3 - 5.  
\*\*These *inner* bolts are the most important for security.\*\*



7  
The Brackets should now be loosely held, ideally with 4 bolts each.



8  
Inside the shed, push the flat washers and then the spring washers onto the bolts.



9  
Lastly, loosely thread nuts onto the threads. When happy with the fit, tighten with a spanner to finish.